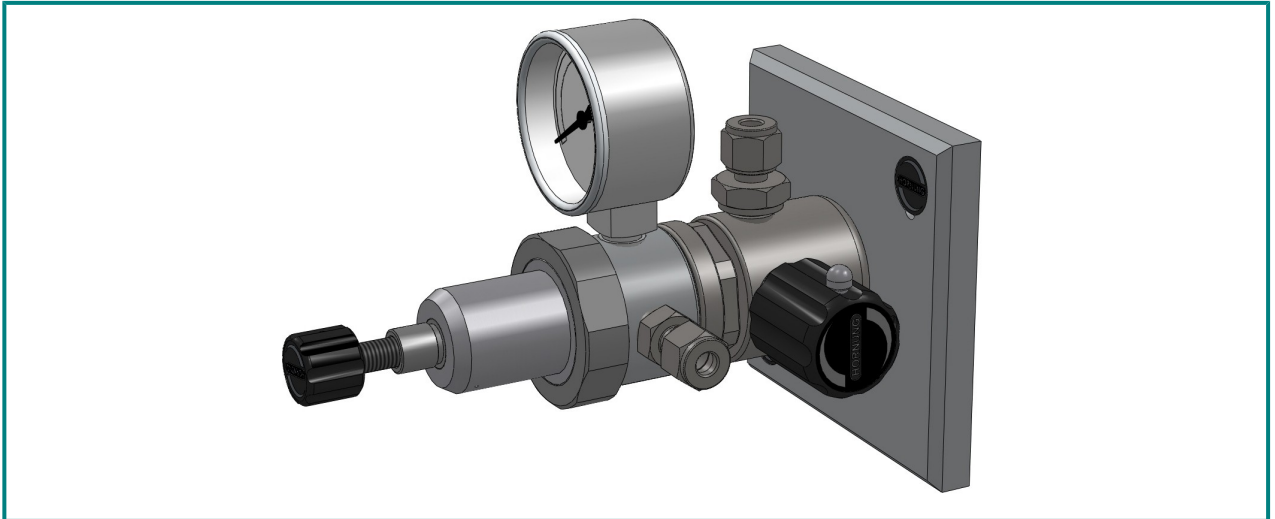


Point of use regulator HP 404

- wall mounting version



Description:

The HP 404 is a point of use regulator for wall mounting. The regulator is mounted on a wall console for reducing line pressure to working pressure as a second stage.

In case of maintenance, the regulator can be separated from the shut-off valve to avoid a complete shutdown of the pipeline.

As a standard configuration the point of use regulator will be supplied with shut off valve, a gauge for working pressure and a precision pressure regulator FR1.

Application area:

The point of use regulator HP 404 with the precision pressure regulator FR1 is used particularly in the following areas:

- Gas analysis
- Gas chromatography
- Process engineering
- Metallurgy
- Laboratory applications

Technical details:

Housing:	aluminium-brass stainless steel
Valve seat:	stainless steel
Gaskets:	viton / NBR
Diaphragm:	viton / NBR st. steel
max. inlet pressure:	12 bar
Regulating area:	50 mbar to 2.1 bar
Operating temp.:	-20 to +70°C
Size:	105 x 130 x 175
Weight:	1300g
Connections:	inlet G 1/4" f outlet NPT 1/8" f

Hornung Quality standard

The company Hornung is certified to **DIN EN ISO 9001 and ISO 14001:2009.**

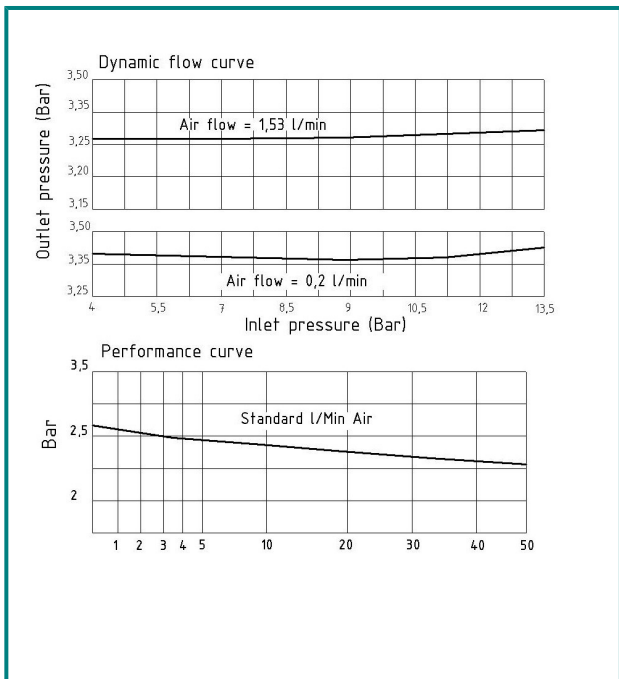
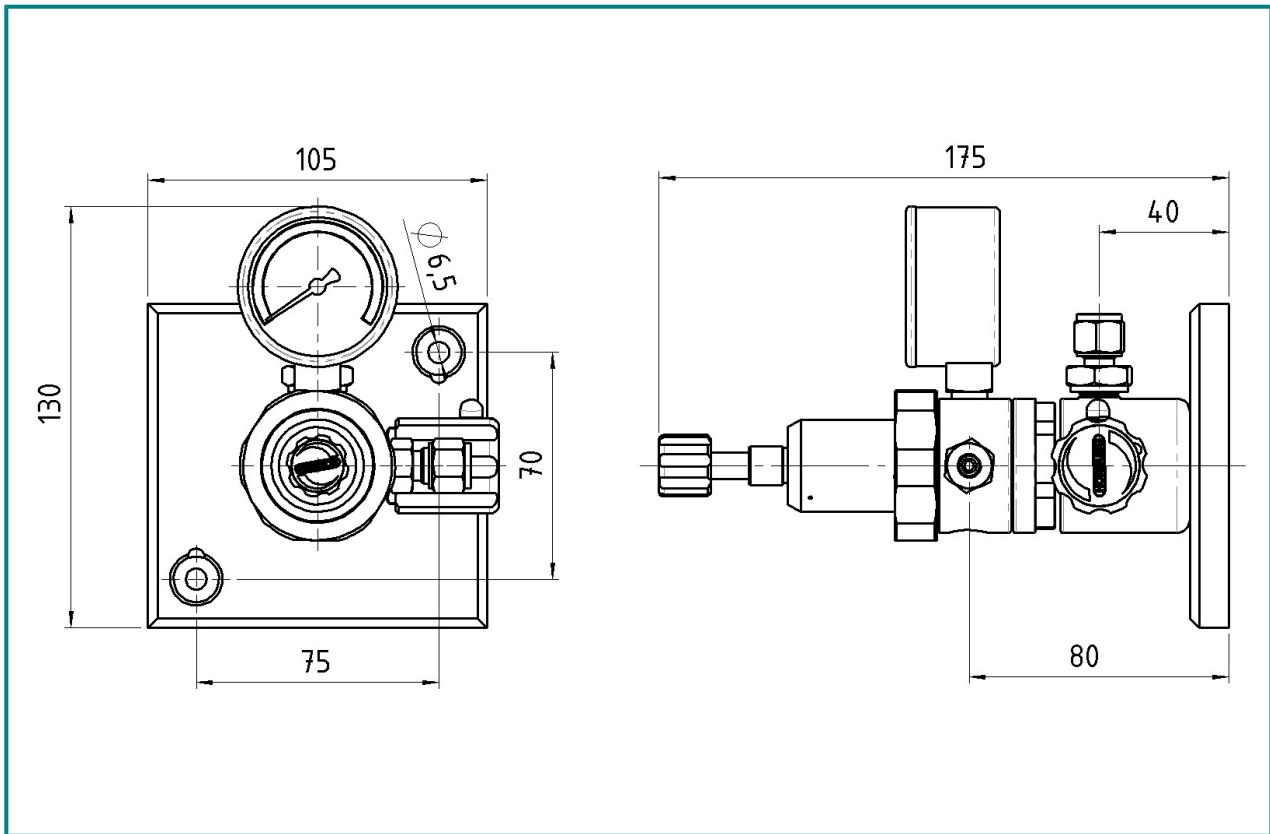
All single parts are manufactured, assembled and tested by in-house production.

The finished parts are therefore under all criteria of German quality control with 100% final inspection.

Hornung GmbH
Rathenaustraße 55, 63263 Neu-Isenburg

Phone: +49 6102 7883-70
Fax: +49 6102 7883-40

www.hornung.org
info@hornung.org



Ordering information:

Material:

HP404 MS = aluminium-brass
 HP404 = stainless steel

Outlet pressure ranges:

01 = 170 mbar
 02 = 350 mbar
 03 = 500 mbar
 04 = 700 mbar
 05 = 2.1 bar
 06 = 4.2 bar
 07 = 7.0 bar

Options for outlet:

00 = NPT 1/8" - internal thread
 1 = compression fitting 6mm
 2 = metering valve

HP404-	02	01	Gas
Type	Pressure	Option	Gas type

Accessories:

- 7. Screw connections and accessories
- 9. Wall mounting